

◆ Features

- * With very high noise immunity on encoder (HK526E) and decoder (HK526F) both
- * Up to 8 address bus option
- * Can be 3 kinds sound effect option from D0, D1, D2 pins setting , with alone trigger for “ Ding-Dong ” , “ Ding-Ding ” or “ Westminster Bell “ sounds output
- * Sound output fixed on 1 time while getting trigger signal from TG pin of HK526E

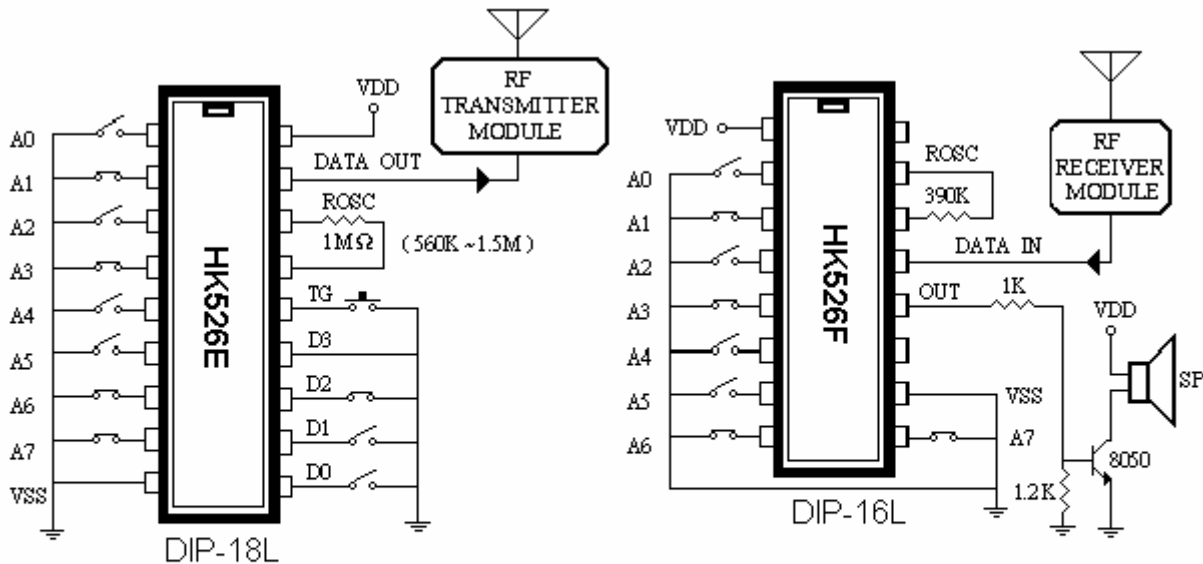
◆ Application

Wireless Door bell, Remote control security system

◆ Electrical Characteristics

Characteristics	Sym.	Min.	Typ.	Max.	Unit	Remark
Operating voltage	V _{DD}	2.8	4.5	5.0	V	
Operating current	I _{OP}	----	0.3	1	mA	
Stand by current	I _{SB}	----	1	10	uA	
Oscillator frequency	F _{OSC}	----	85	----	KHz	±30% R _{osc} =390KΩ
Operating temperature	T _{EMP}	0	25	60	°C	
Driving current	I _O	----	2	----	mA	@ V _{DS} =1.2V

◆ Application circuit



D0	D1	D2	TG	SOUND EFFECT	SOUND OUTPUT
VSS	OPEN	OPEN	┘	DING-DONG	1 TIME
OPEN	VSS	OPEN	┘	DING-DING	1 TIME
OPEN	OPEN	VSS	┘	WESTMINSTER BELL	1 TIME

★ PACKAGE TYPE : DIP-16L